

---

## TUG BOAT

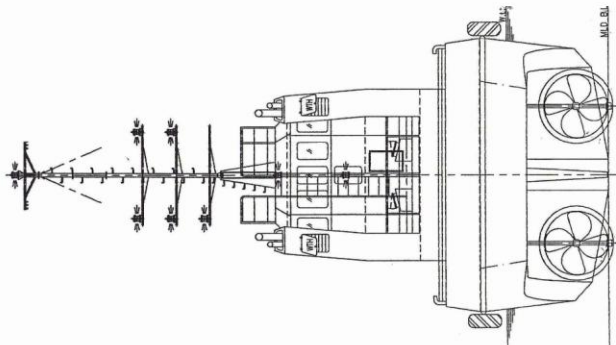
### SEA DUKE



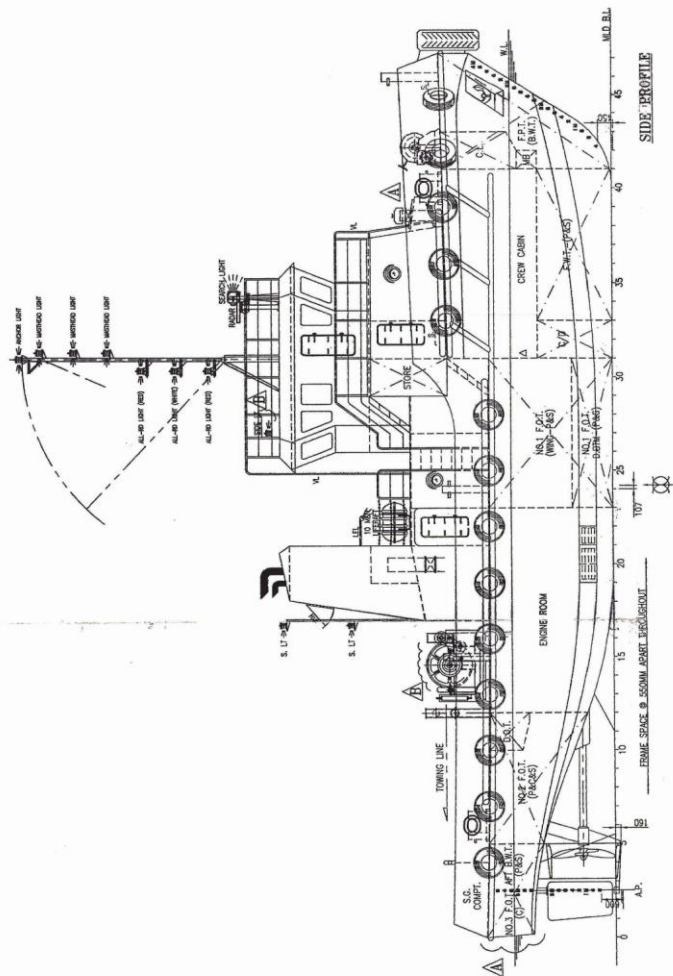
<b>NAME</b>	SEA DUKE
<b>TYPE</b>	TUG BOAT
<b>FLAG</b>	PANAMA
<b>PORT OF REGISTER</b>	PANAMA
<b>CLASS &amp; NO</b>	GERMANISCHER LLOYD
<b>GRT</b>	197
<b>NRT</b>	60
<b>LENGTH</b>	24.26 m
<b>BREADTH</b>	8.00 m
<b>DEPTH</b>	3.65 m
<b>DATE OF BUILT</b>	2006
<b>BUILDER</b>	FOWARD SHIP / MALAYSIA
<b>ENGINE TYPE / ENGINE POWER</b>	mitsubishi / 2x1030 HP
<b>BOLLARD PULL</b>	22 T

**PRINCIPAL PARTICULARS**

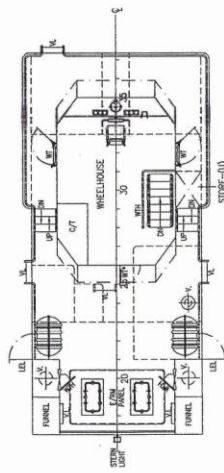
L.O.A 25.00M (82.30FT)  
 L.B.P. 23.863M (78.28FT)  
 BREADTH-MOLDED 8.00M (26.25FT)  
 DEPTH-MOLDED 3.650M (11.98FT)  
 DESIGN DRAFT 3.000M (9.84FT)  
 COMPLEMENT 10 MEN  
 F.D. CAPACITY 11 TONS (APPROX.)  
 F.W. CAPACITY 39 TONS (APPROX.)  
 MAIN ENGINE MITSUBISHI S6R2-MPTK2  
 1030PS/1450RPM, x 2 UNITS  
 RATIO 5.05;  
 GENERATOR 48KW/2  
 FLAG SINGAPORE



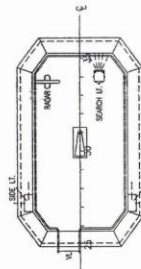
STERN VIEW



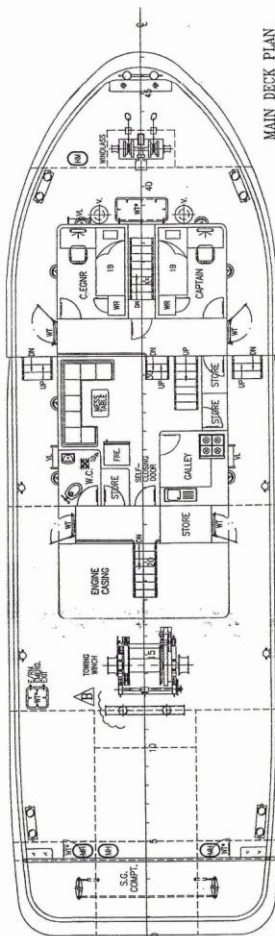
SIDE PROFILE



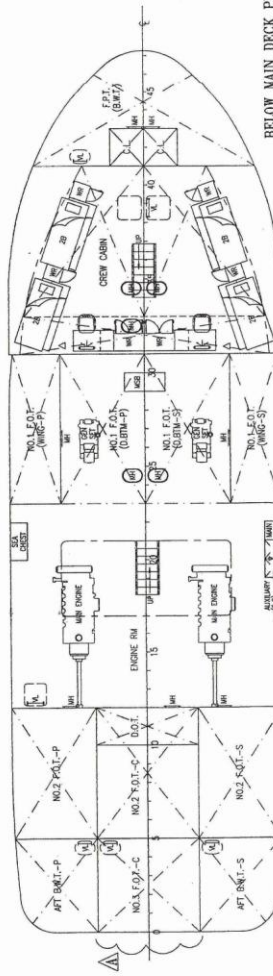
BRIDGE DECK PLAN



WHEELHOUSE TOP



MAIN DECK PLAN



BELOW MAIN DECK PLAN

**NOTES**  
 A BULKHEAD BETWEEN F.O.T. AND ACCOMMODATION SPACE TO BE COVERED BY OIL-IMPREGNATED MATERIALS.  
 B BULKHEADS SHALL BE KEPT OPEN AND REMAIN OPEN UNTIL THE EFFECT SHALL BE POSTED ON OTHER SIDE OF THE DOOR.

This Drawing and the Information contained therein are the property of UNITED SHIP DESIGN